

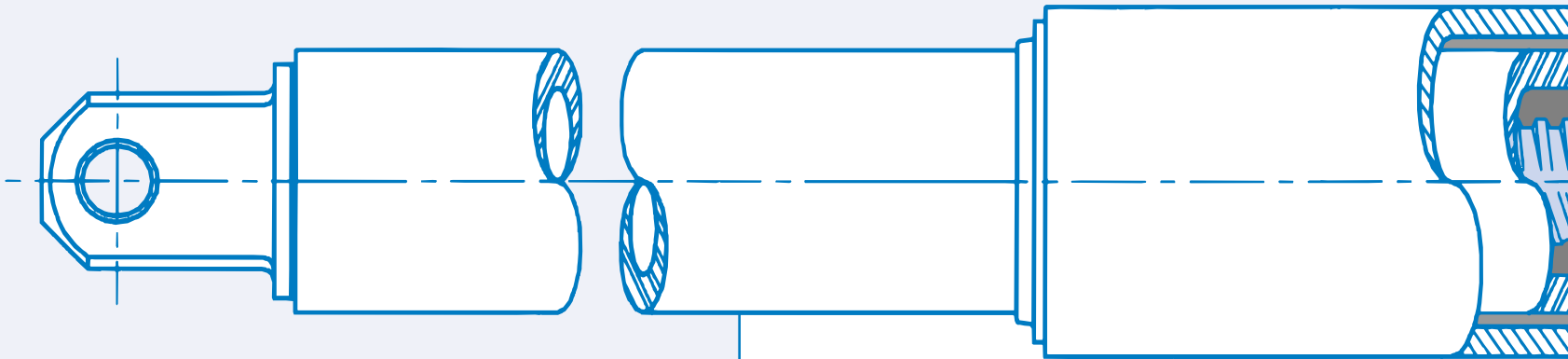
COMPACT

ELECTRIC CYLINDERS



RACO Compact ELECTRIC CYLINDERS

The RACO Compact Cylinder is small in size but big in performance. The Compact series cylinders have extremely short build-length but high thrust force capacity – and just like the bigger RACO modular actuator range, they are purely electro-mechanical. They are designed for use in a wide range of push-pull applications. The RACO Compact series is economically priced and in view of its space design the ideal actuator for many industrial applications. They ensure trouble-free, smooth



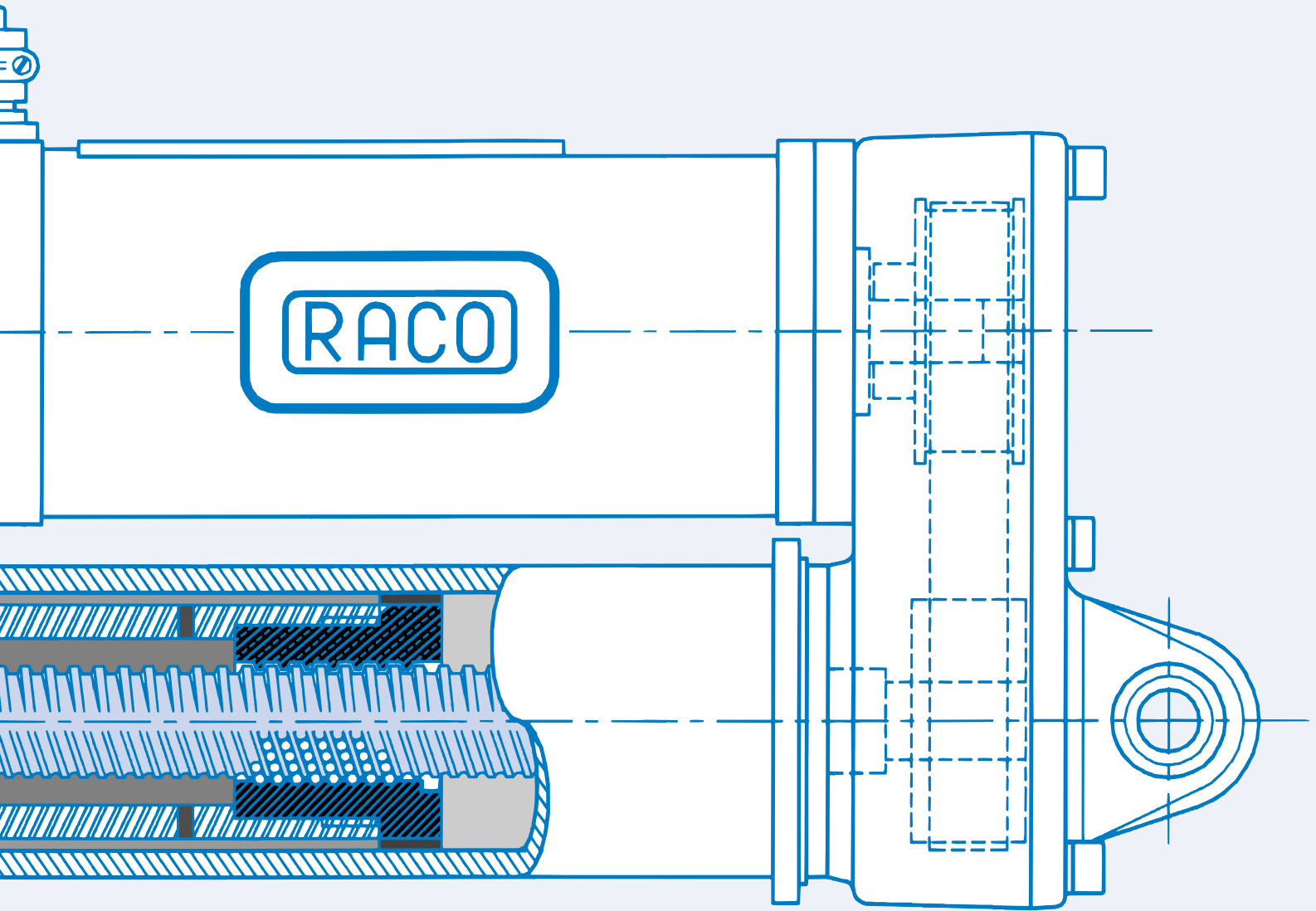
Designed for use in a wide range of push-pull applications the RACO COMPACT has the following advantages:

- Wide performance range
- Heavy-duty construction
- Applicable to high frequency operations
- Cost effective
- Maintenance free
- Linear motion without the disadvantages of pneumatic or hydraulic systems

RACO COMPACT Applications

- **Automation and mechanical handling equipment**
- **Material handling** – lifting tables, loading bays, barrel lifters
- **Traffic flow** – industrial doors, barriers and warning signs
- **Flow control** – butterfly valves, flap valves, diverters
- **Transmission** – brakes, locking devices, couplings

- Smaller installed envelope size
- Nine nominal thrust ratings: 100, 200, 450, 700, 900, 1100, 1700, 3500 and 9000 lbs.
- Five distinct standard stroke lengths: 3.9, 7.9, 11.8, 15.7 23.6 inches
- Power screw accuracy: 0.002 inches per 12 inches of travel
- All sizes available in ball or acme power screw thread configuration
- Multiple screw leads available in every size to optimize motor / reduction / output speed capability
- Built-in anti-rotation provision
- Accommodates most world input voltages
- Aluminum housing construction for light-weight, corrosion-free design
- External proximity switch option
- Complete range of standard accessories
- Complete line of standard controls and options
- Outdoor / Weather-proof construction
- All Metric Unit standard dimensions and ratings for world-wide parts availability
- ISO 9001 Manufacturing



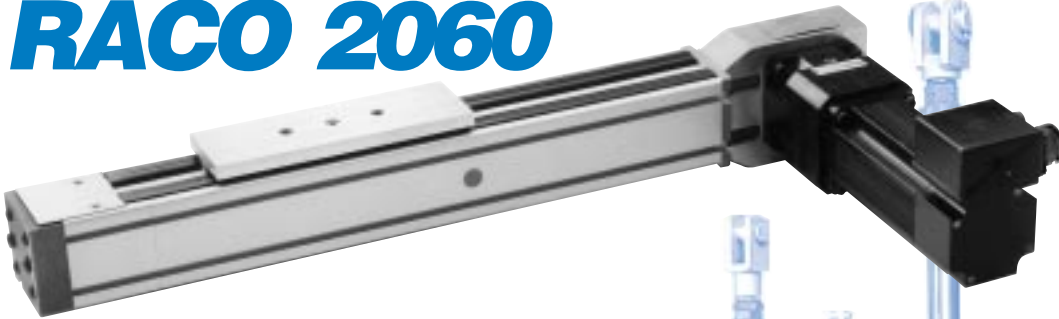
RACO International, Inc.

3350 Industrial Blvd.
Bethel Park, PA 15102
(888) BUY-RACO (888) 289-7226
Ph: (412) 835-5744
Fx: (412) 835-0338
email: salesdep@usaor.net
Home page: www.racoint.com



RACO ELECTRIC LINEAR CYLINDERS FOR TODAY'S INDUSTRY

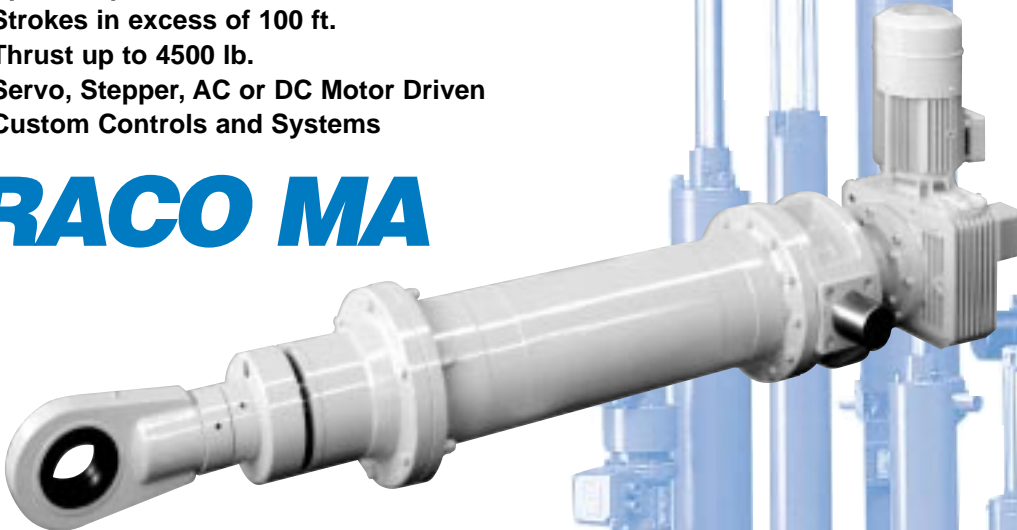
RACO LM RACO 2060



RODLESS CYLINDERS

- Acme, Ballscrew or Synchronous Belt Type
- Carriage on Slides or Wheels
- Speeds up to 400 in/sec.
- Strokes in excess of 100 ft.
- Thrust up to 4500 lb.
- Servo, Stepper, AC or DC Motor Driven
- Custom Controls and Systems

RACO MA



- Largest installed base in the world
- Thrust capacities to 200,000 lbs.
- Standard stroke lengths to 80 inches
- Ball or acme power screw thread configuration
- Multiple screw leads available in every size to optimize motor / gearhead / output speed capability
- Complete line of standard controls and options
- ISO 9001 Manufacturing
- Typical delivery 2-3 weeks



RACO International, Inc.

3350 Industrial Blvd.
Bethel Park, PA 15102
(888) BUY-RACO (888) 289-7226
Ph: (412) 835-5744
Fx: (412) 835-0338
email: salesdep@usaor.net
Home page: www.raoint.com